

7m

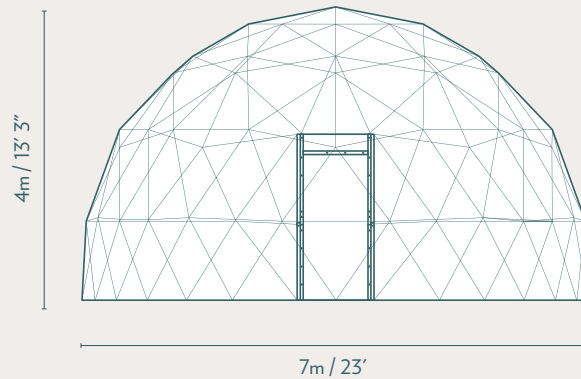
Stargazer Geodesic Dome

Ideal for glamping as a couple or as a workspace.

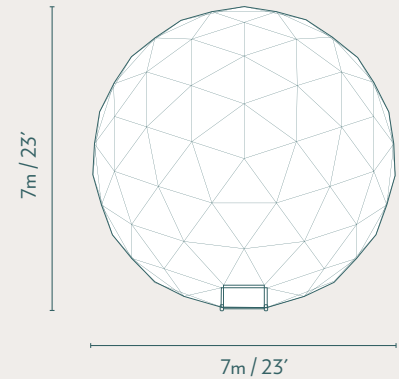
The 7m Stargazer is best suited for a couple who enjoy a little more space. Offering 38.5 sq m (415 sq ft), there is a more room for furniture or a seating area in addition to a small bathroom and or kitchenette.

BUILT TO LAST!
LEADERS IN FRAME STRENGTH

STRUCTURE DIMENSIONS
3V Design



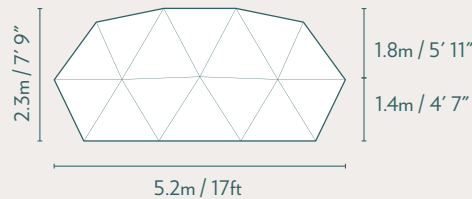
OVERHEAD DIMENSIONS
Floor Area 38.5sqm / 414sqft



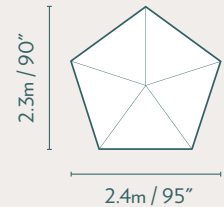
SINGLE DOOR FRAME
Inside



CLEAR VIEW STRUCTURE WINDOWS
With Cover On



SKYLIGHT DIMENSIONS



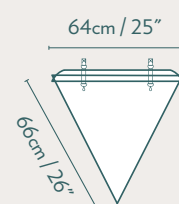
CIRCLE GLASS WINDOW
(Operable)



CIRCLE PVC WINDOW
(Inoperable)



TRIANGLE ROLL-UP WINDOW
(With Screen)





*Arist rendering only. Discrepancies may occur between picture and final purchased product.

SPECIFICATIONS

Diameter	7m / 23'
Center Height	4m / 13' 3"
Floor Area	38.5 sqm / 414 sqft
Structure Weight	550kg / 1213lbs
Structure Design	3V
Exterior Colours*	<input type="radio"/> <input type="radio"/> <input type="radio"/>

*Custom exterior colours available on request

FRAMEWORK

A galvanized steel frame and sturdy geodesic dome design create a strong yet simple structure. Thick steel footing elevates the frame for added protection and allows you to secure your dome to any surface. Need to increase your wind and snow loads or change the color of your powder-coated framework? Visit us online or talk to a Luna associate to learn more about frame upgrades and framework colors.

Standard Framework Thickness	32mm x 2mm
Framework Thickness Upgrade	42mm x 2.5mm

ADD-ONS

Want to customize your Stargazer even more? **Check out pricing online.**

Two-layer Insulation	Colour Options <input type="radio"/> <input type="radio"/> <input type="radio"/>
Glass Door	Frame Colours <input type="radio"/> <input type="radio"/> Clear or Frosted Glass <input type="radio"/> <input type="radio"/>
Curtains	Colour Options <input type="radio"/> <input type="radio"/> <input type="radio"/>
Keyless Entry	<input checked="" type="checkbox"/>
Solar Fan	Colour Options <input type="radio"/> <input checked="" type="radio"/>
Stove Jack 5" or 9"	Colour Options <input type="radio"/> <input checked="" type="radio"/>
Glass Structure Window	Single or Double Pane
Rooftop Skylight	<input checked="" type="checkbox"/>
Skylight Motorized Blind	<input checked="" type="checkbox"/>
Circle Glass Windows	<input checked="" type="checkbox"/>
Circle PVC Windows	<input checked="" type="checkbox"/>
Triangle Roll-up Window with Screen	<input checked="" type="checkbox"/>

ADDITIONAL INFORMATION Structure bolt lengths: M10*70 without insulation, M10*90 with insulation
Wrench size required: 17mm **Installation tools:** Electric hand drill, 3m ladder. Placement of windows, doors, stove jack and other add-ons specified once quote is received and confirmed. **All measurements rounded to nearest cm/inch.**