

BUILT TO LAST!
LEADERS IN FRAME STRENGTH

LUNA

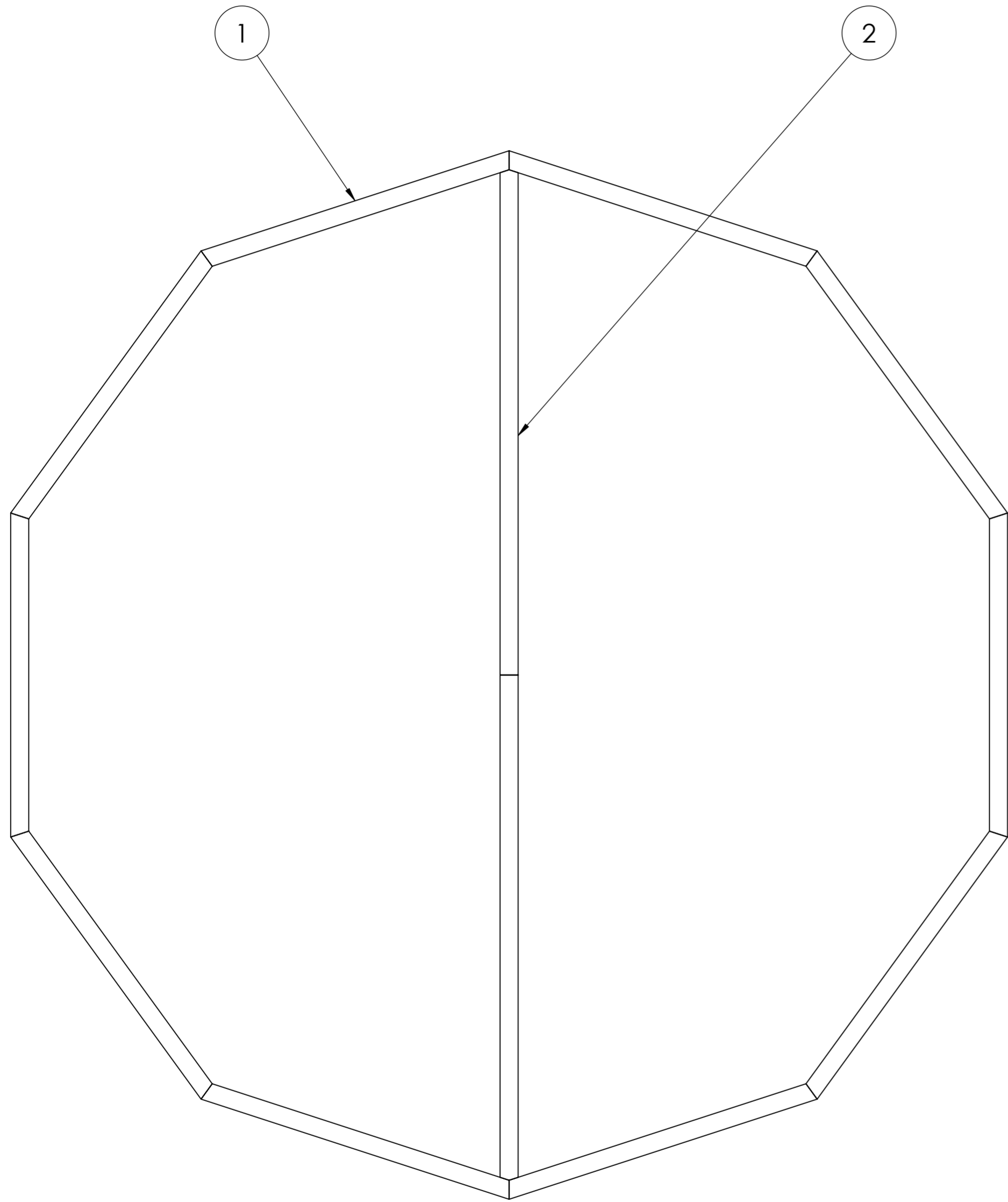
GLAMPING

PLATFORM ENGINEERING

lunaglamping.com

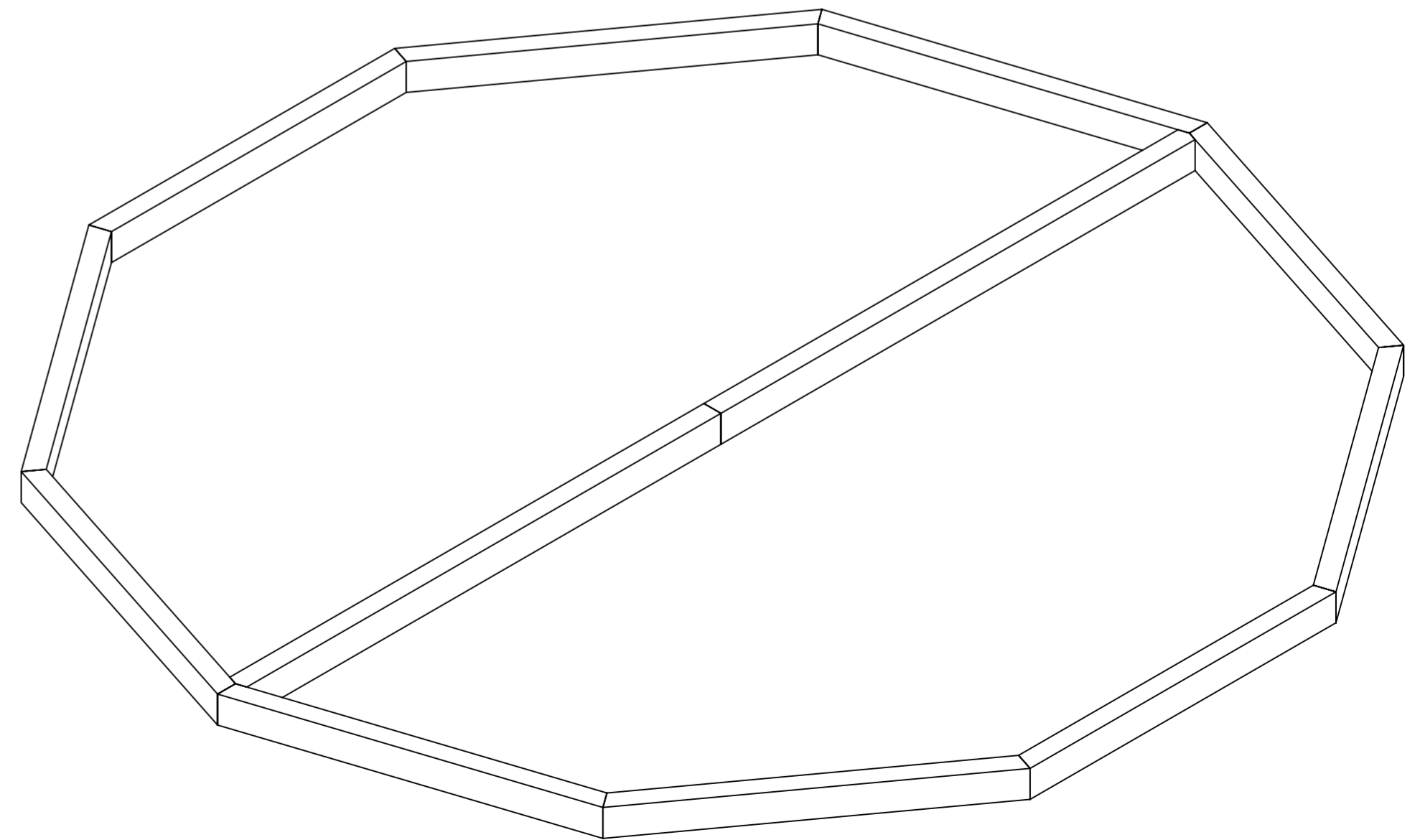
5m Stargazer Geodesic Dome

3 V 32mm x 2.0mm

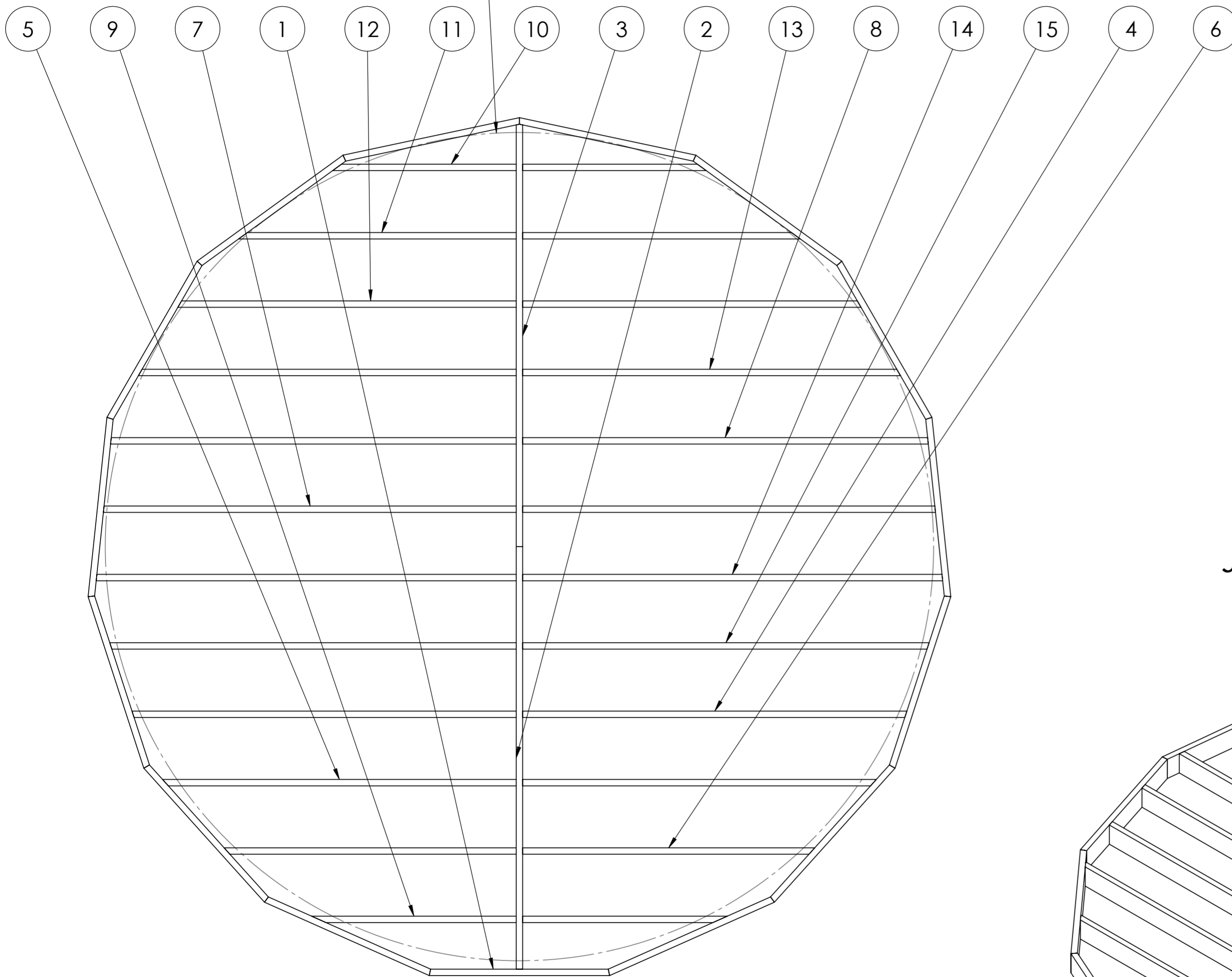


ITEM NO.	QTY.	Description	LENGTH	ANGLE1	ANGLE2	TOTAL LENGTH
1	10	4" x 6" TREATED TIMBER	5'2 3/4"	18°	18°	68'6 15/16"
2	2	4" x 6" TREATED TIMBER	8'1 13/16"	0°	2X18°	

Runner Diagram 4x6 Lumber

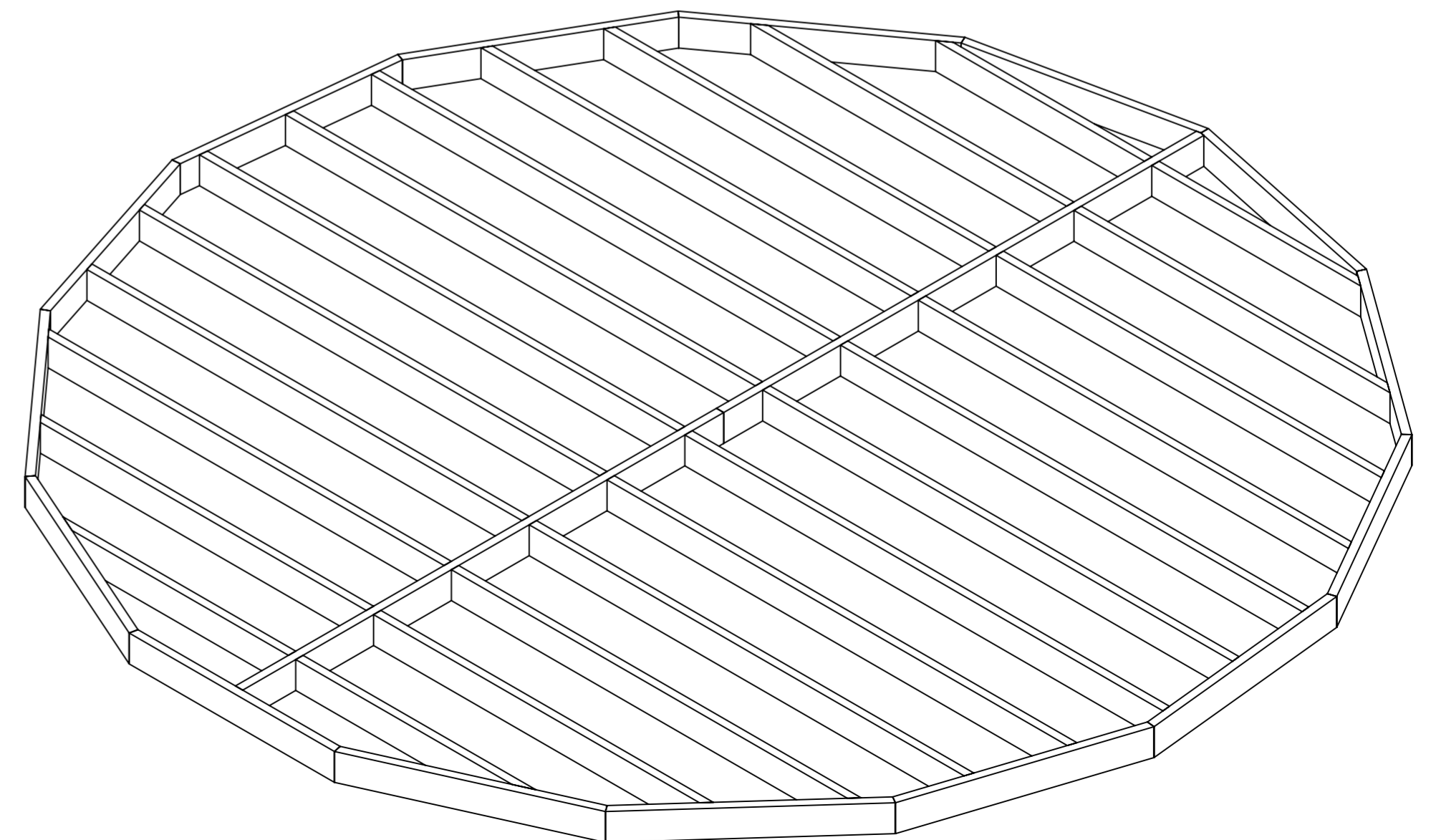


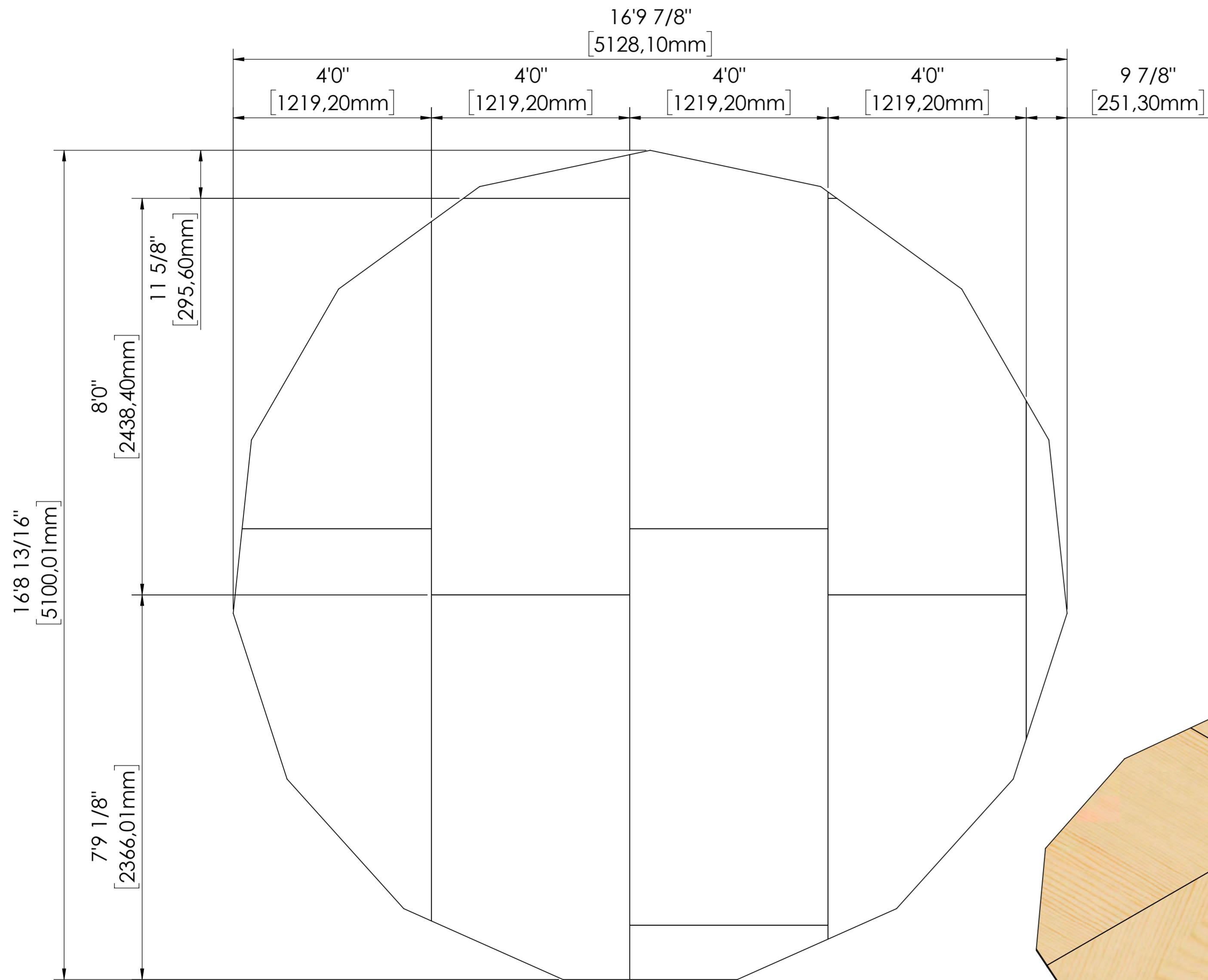
Ø 16' 7/8"
[4924,04mm]



ITEM NO.	QTY.	Description	LENGTH	ANGLE1	ANGLE2	TOTAL LENGTH
1	15	2" x 6" BOARD	3'6 3/16"	12°	12°	227'5 3/4"
2	1	2" x 6" BOARD	8'2 7/8"	0°	0°	
3	1	2" x 6" BOARD	8'2 7/8"	2X12°	0°	
4	2	2" x 6" BOARD	7'5 15/16"	18°	0°	
5	2	2" x 6" BOARD	6'10 3/4"	0°	42°	
6	2	2" x 6" BOARD	5'8 3/8"	0°	42°	
7	2	2" x 6" BOARD	8' 5/8"	0°	6°	
8	2	2" x 6" BOARD	7'10 15/16"	6°	0°	
9	2	2" x 6" BOARD	3'11 7/8"	66°	0°	
10	2	2" x 6" BOARD	3'6 15/16"	54°	0°	
11	2	2" x 6" BOARD	5'5"	0°	54°	
12	2	2" x 6" BOARD	6'7 3/16"	0°	30°	
13	2	2" x 6" BOARD	7'4 7/16"	0°	30°	
14	2	2" x 6" BOARD	8'2 5/16"	0°	6°	
15	2	2" x 6" BOARD	7'11 1/8"	0°	18°	

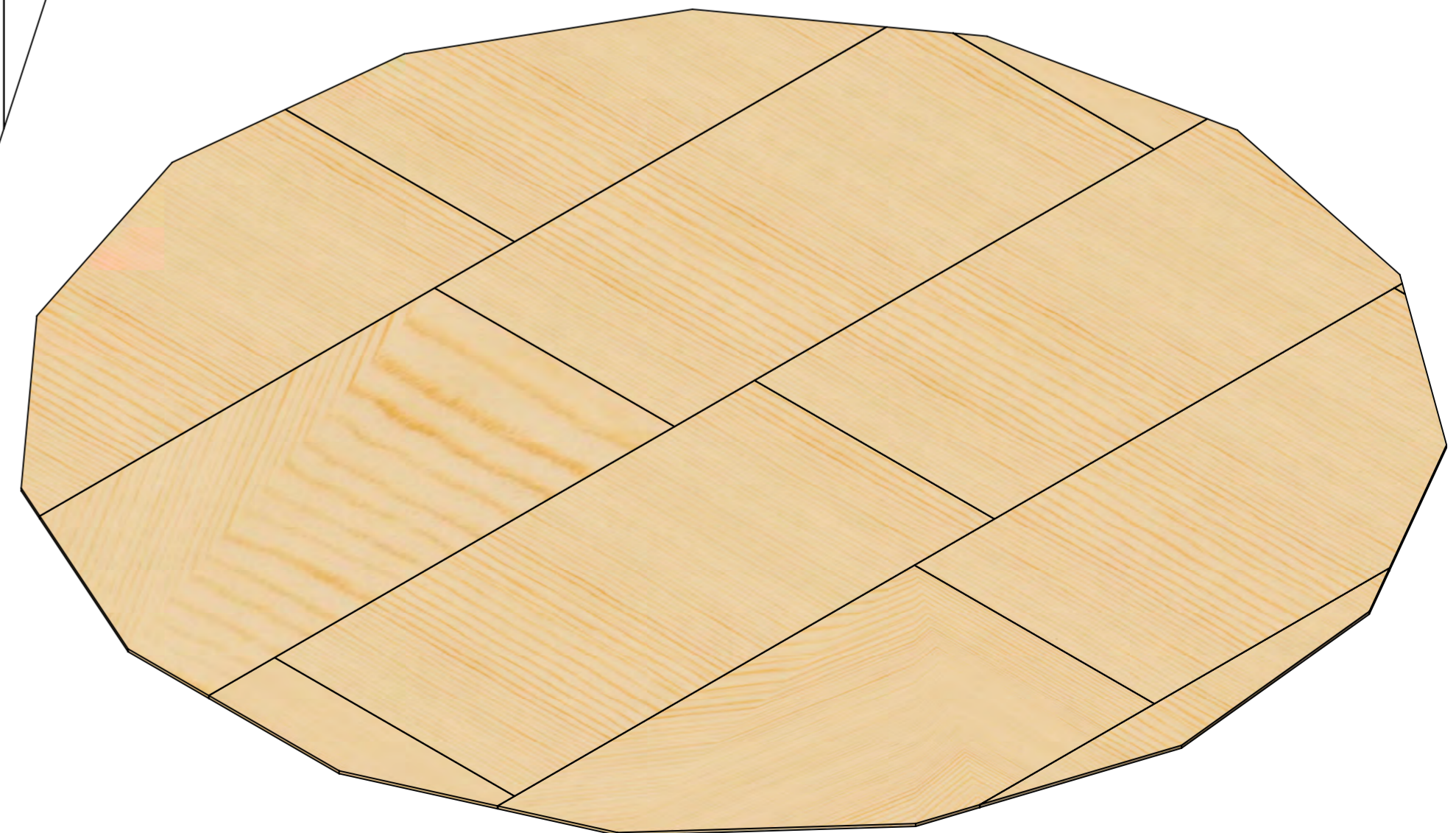
Joists with Length and Cut Angels

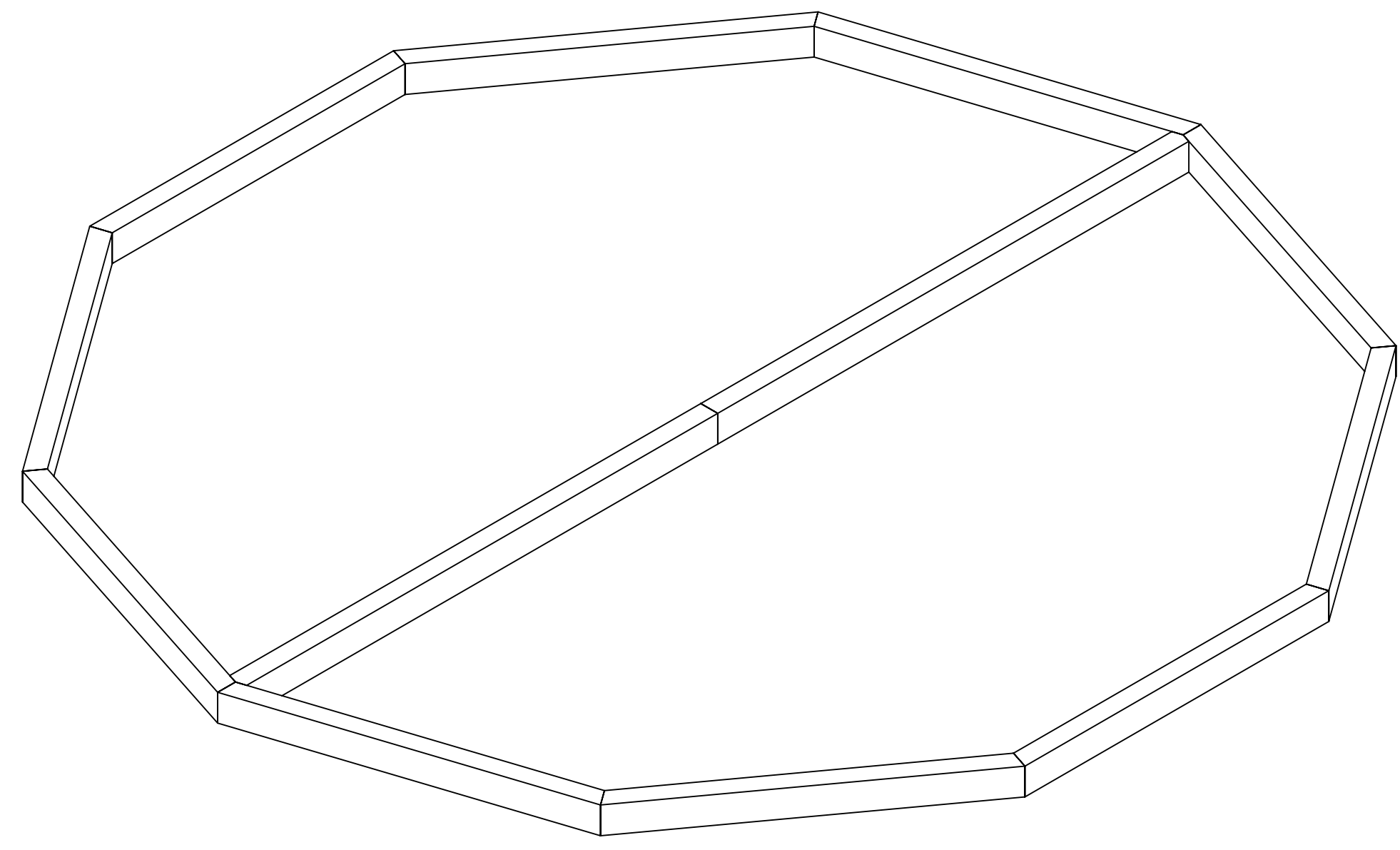




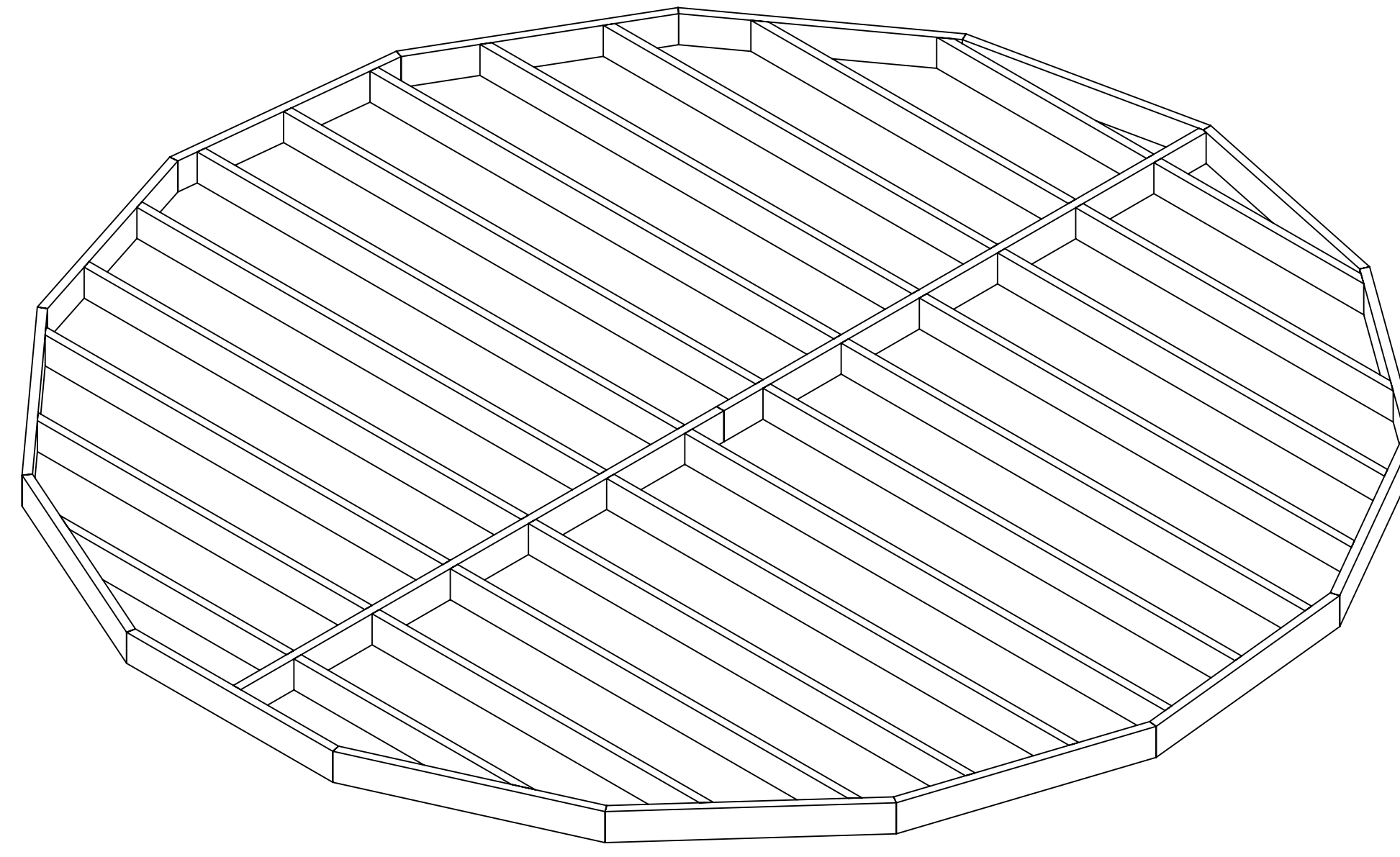
ITEM NO.	QTY.	DESCRIPTION	Area
1	1	1/2" MARINE GRADE PLYWOOD	218SF

Top Plywood Layout over Joists





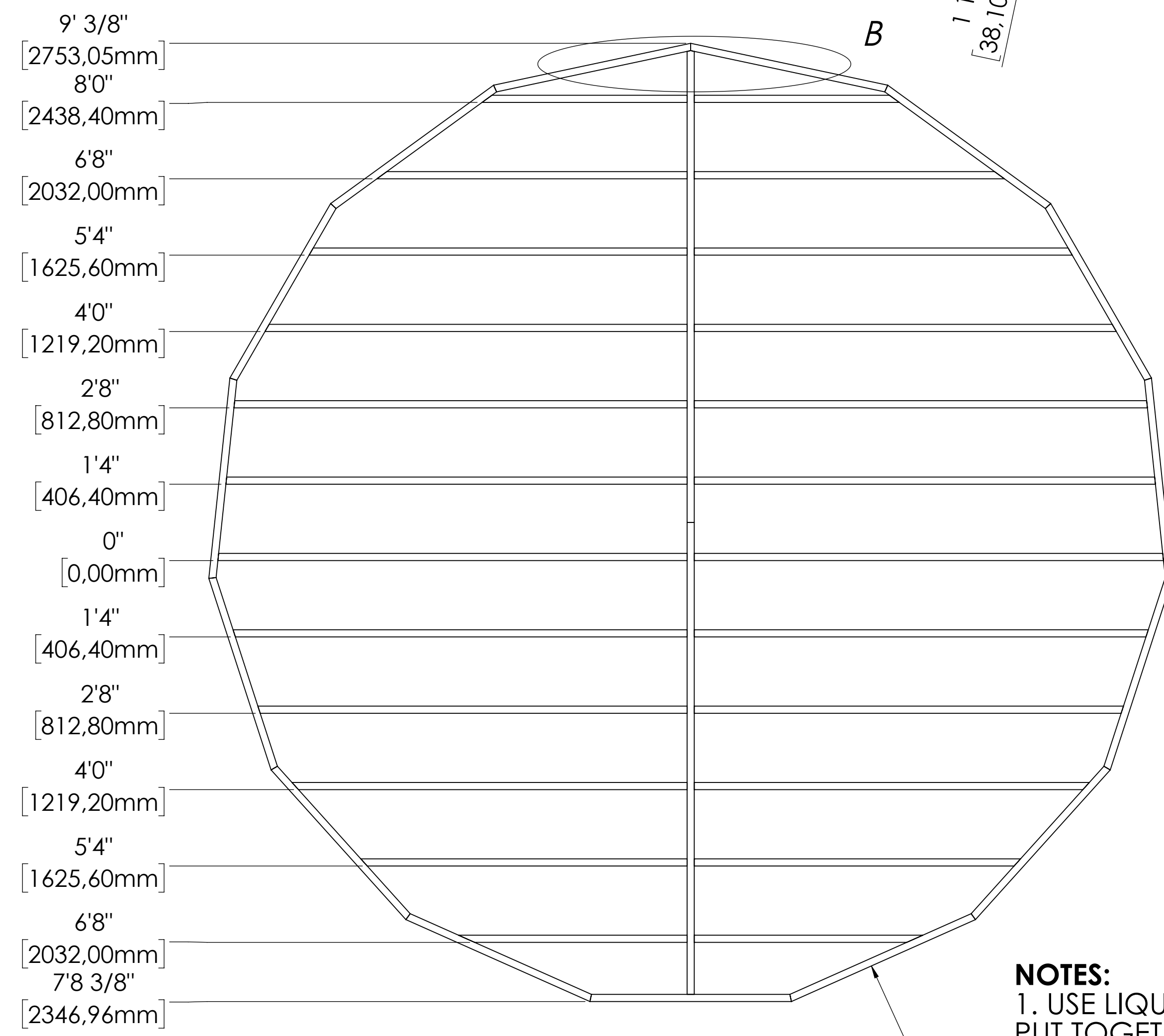
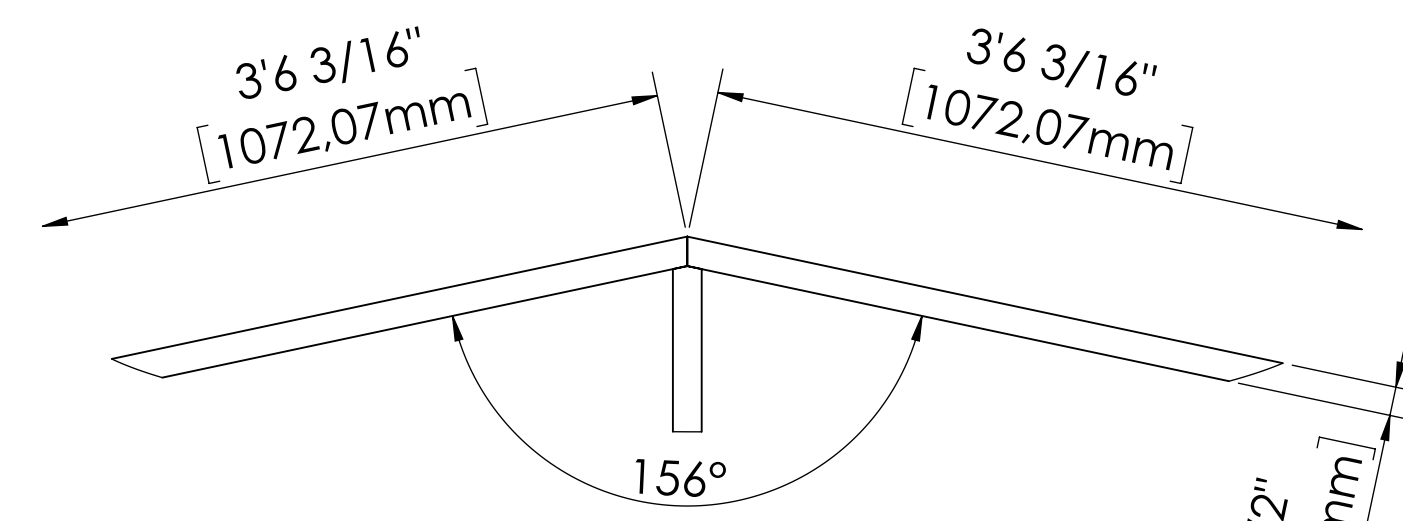
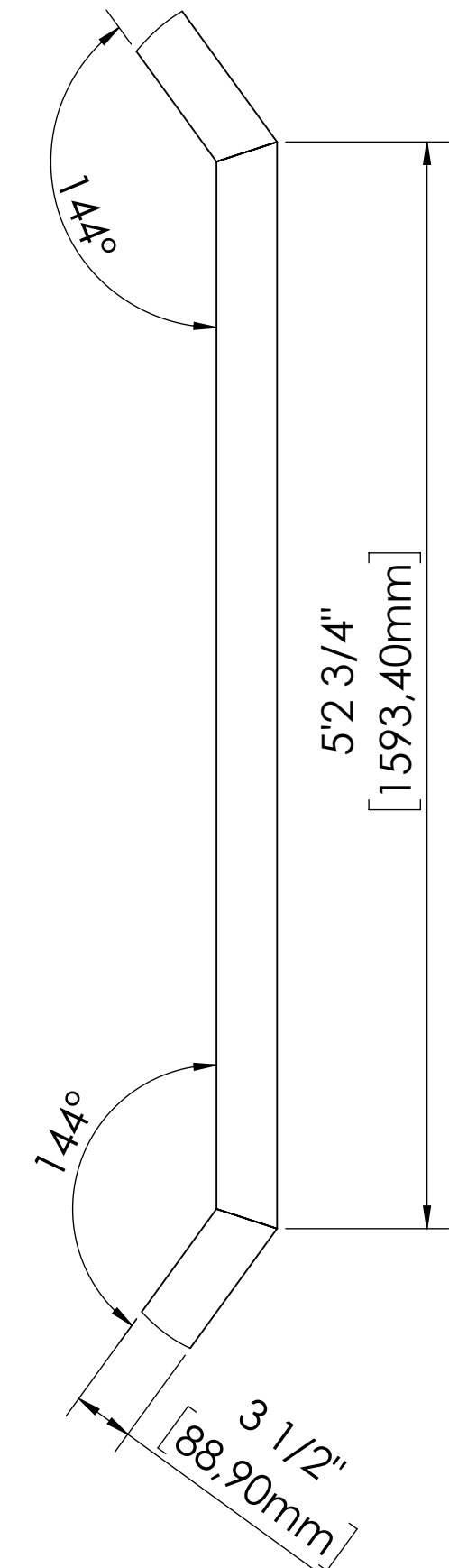
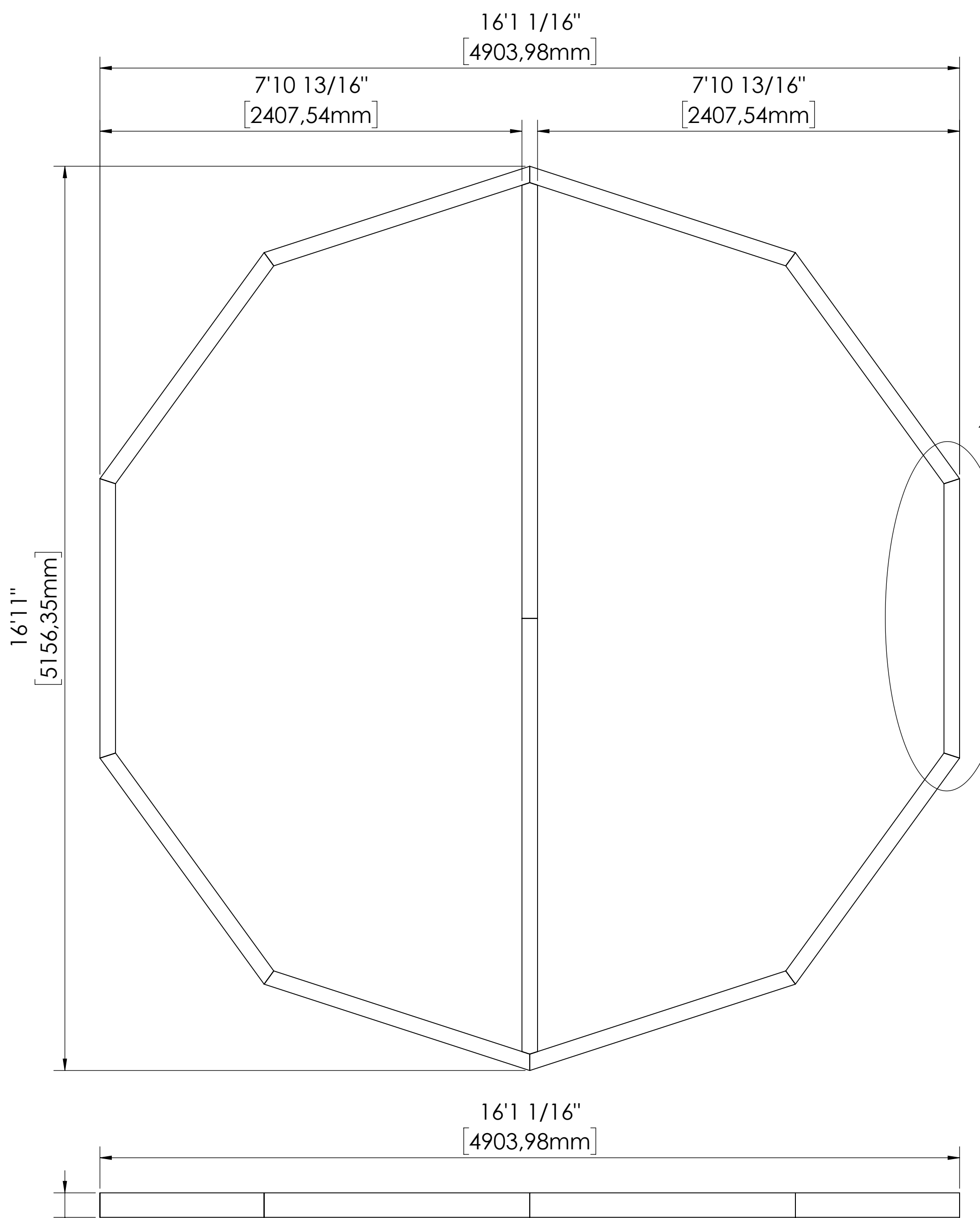
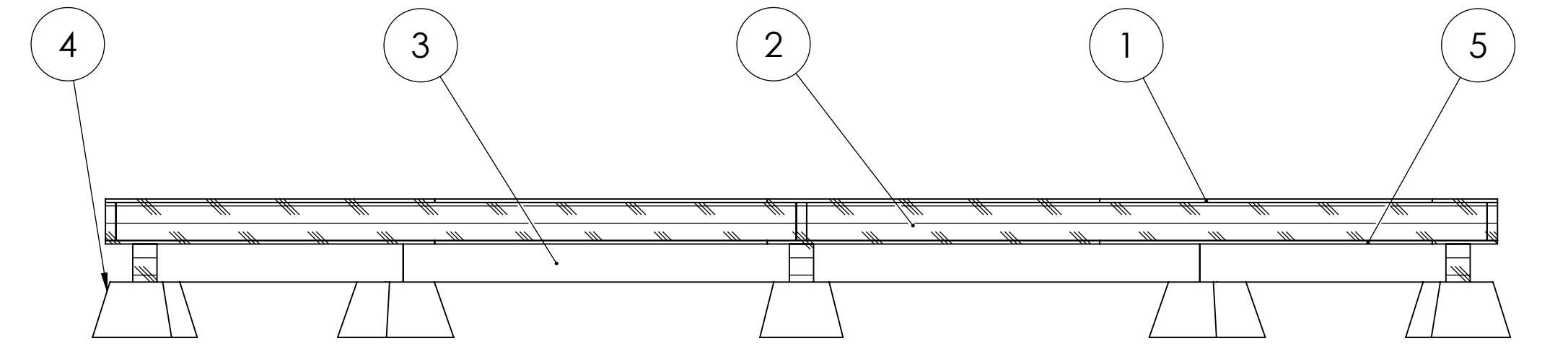
DETAIL A
SCALE 1 : 10



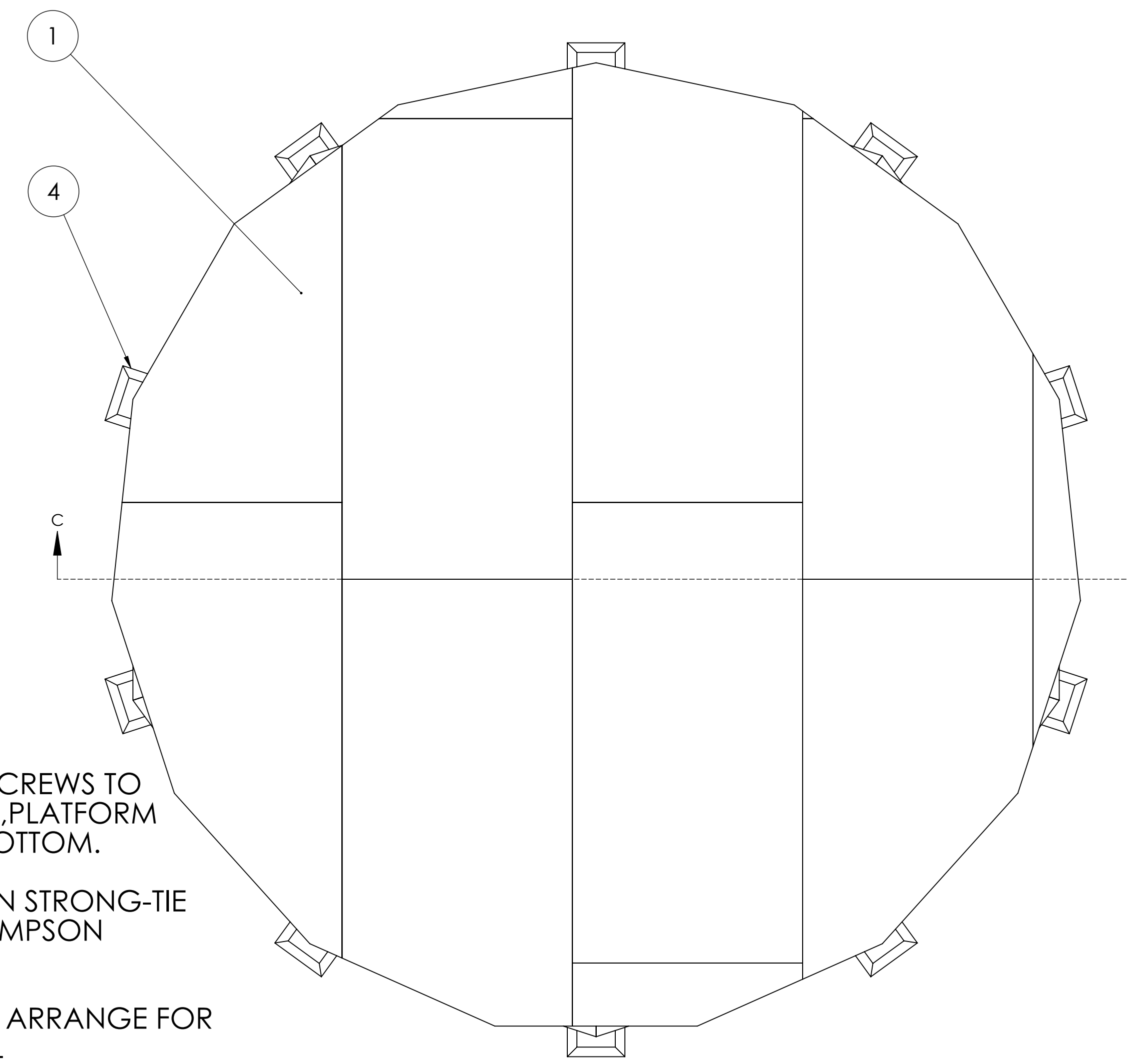
DETAIL B
SCALE 1 : 10



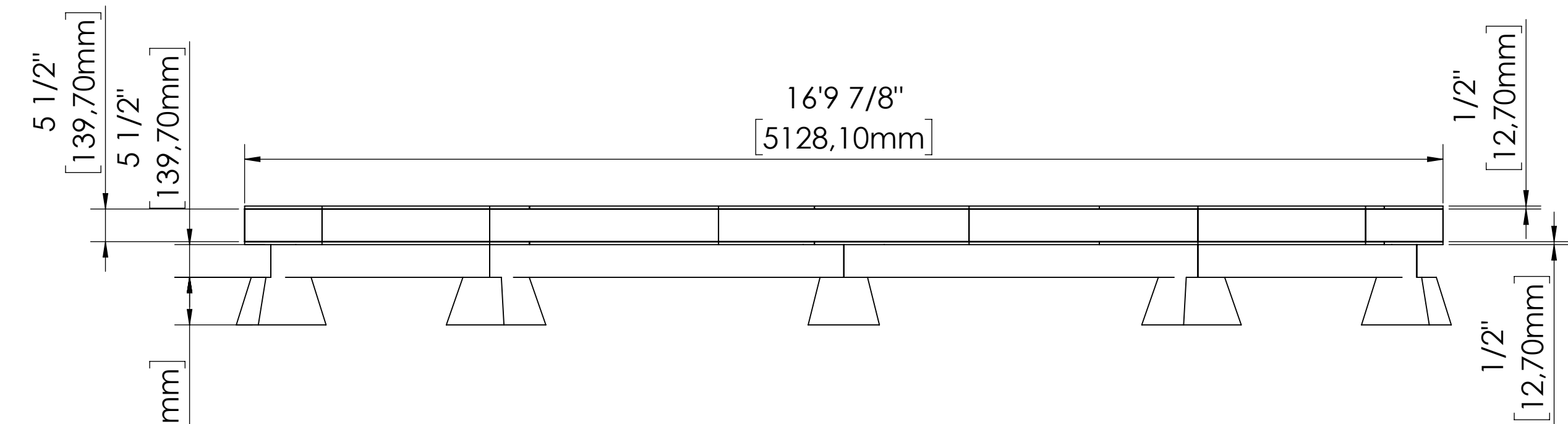
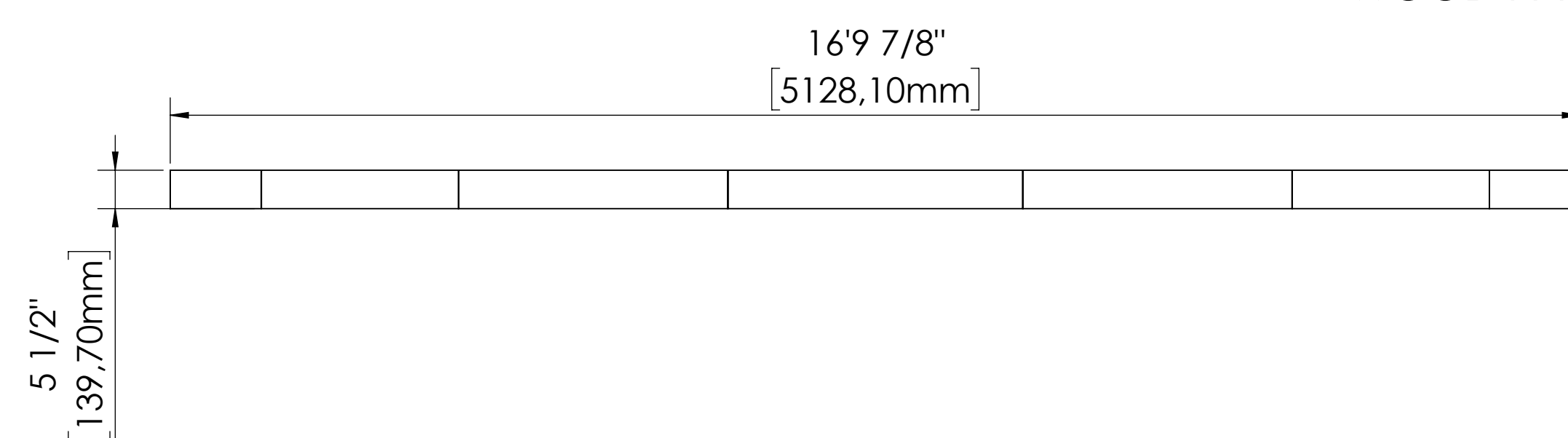
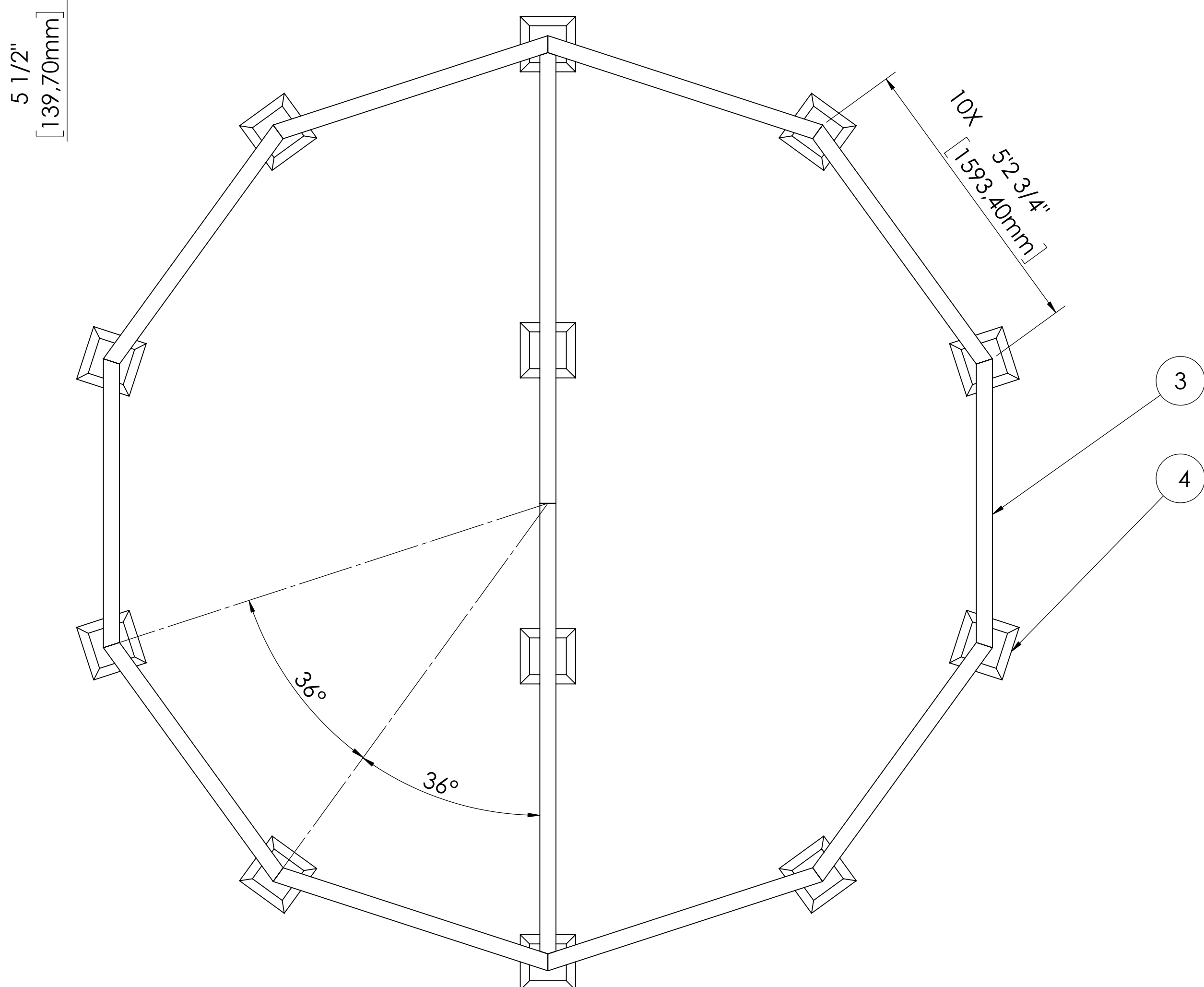
SECTION C-C



- NOTES:**
1. USE LIQUID NAILS GLUE AND DECK SCREWS TO PUT TOGETHER DOUBLE BOARD BEAMS, PLATFORM PERIMETER, AND PLYWOOD TOP & BOTTOM.
 2. ATTACH ALL MEMBERS WITH SIMPSON STRONG-TIE SKEWABLE ANGLES AND PLATES. USE SIMPSON RECOMMENDED SCREWS TO ATTACH
 3. STAGGER PLYWOOD PIECE JOINTS, ARRANGE FOR MOST ECONOMICAL USE OF MATERIAL
 4. SAND FINISHED PLATFORM TO REMOVE ALL SPLINTERS, SHARP CORNERS
 5. PAINT PLATFORM WITH 2 COATS OF OUTDOORS WOOD PAINT



PLYWOOD LAYOUT, REF TOP AND BOTTOM



ITEM NO.	PART NUMBER	Description	Material	QTY.	20% WASTAGE	TOTAL
1	Plywood Top	1/2" MARINE GRADE PLYWOOD	Pine	218 SF	44 SF	262 SF
2	Joints	2" x 6" BOARD	Pine	228 Lin.FT	46 Lin.FT	274 Lin.FT
3	Runners	4" x 6" TREATED TIMBER	Pine	69 Lin.FT	14 Lin.FT	83 Lin.FT
4	Pier block	FOUNDATION 12" x 8" x 8"	Concrete	12		12
5	Plywood Bottom	1/2" MARINE GRADE PLYWOOD	Pine	218 SF	44 SF	262 SF

UNLESS OTHERWISE SPECIFIED:
DIMENSIONS ARE IN INCHES
TOLERANCES:
FRACTIONS ± 1/32"
DECIMALS ± .005"
ANGLES ± .01°
THREE PLACE DECIMAL ± .001"

DATE: 02/29/23
DRAWN BY: AD
CHECKED BY: AD
APP. DATE: 02/29/23
TITLE: PLATFORM 5.1m 3V DOME
SCALE: 1:20 WEIGHT: SHEET 8 OF 8

PROPERTY AND CONFIDENTIAL
THIS INFORMATION CONTAINED IN THIS DRAWING IS THE SOLE PROPERTY OF LUNA GLAMPING. NO REPRODUCTION IN PART OR AS A WHOLE WITHOUT THE WRITTEN PERMISSION OF LUNA GLAMPING IS PERMITTED.

INTERFERE GEOMETRIC TOLERANCES PER
SEE DRAWING
SEE DRAWING
DO NOT SCALE DRAWING