

The image shows the interior of a canvas bell tent. On the left, there is a wooden bed frame with a brown mattress and several pillows. A hat is hanging on a wooden rack to the left of the bed. In the foreground, there is a thick, textured grey blanket. To the right, a wooden dining table with two chairs is set up on a wooden deck. A striped shawl is draped over one of the chairs. The tent's entrance is open, revealing a view of the ocean and a clear blue sky. The lighting is warm and natural, suggesting daytime.

LUNA

GLAMPING

Canvas Bell Tents

Specifications Manual 2023

A better way to experience nature!

THE BELL TENT	04
4M CANVAS BELL TENT	08
5M CANVAS BELL TENT	09
6M CANVAS BELL TENT	10
STOVE KIT ADD-ON	11
SET-UP INSTRUCTIONS	12
CARE INSTRUCTIONS	14
FAQS	15



Endless Opportunities

Applications for your
Luna Bell Tent

 Glamping Tents

 Hotels & Resorts

 Backyard Gazebos

 Vacation Properties

The great outdoors has never been so comfortable

Enjoy the serenity of nature in the luxury of a structure that's been around for generations.

The canvas bell tent is more than just a tent—it's the vehicle for creating an intimate space to unwind on the weekends, the catalyst for building a beautiful eco-retreat, and the showroom to highlight your work. Your bell tent is with you, wherever you choose to go.



What are the advantages of a bell tent?

Elevate your camping experience or build the eco-resort of your dreams with a space that's as affordable as it is luxurious.



DURABILITY

Made with an environmentally friendly cotton canvas and waterproofed for protection from the elements, your bell tent is made to last for years to come. Whether you're hiking in the forest, relaxing at your favorite campsite or lounging in the backyard, your bell tent is the perfect companion.



FOUR SEASONS

This is no ordinary tent. With a stove jack built into your weather-sealed canvas, you'll feel at home in your bell tent in the middle of December and the middle of July. Whether you're heading into the snow or flying away from it, your bell tent is right there with you.



PORTABILITY

Glamping has never been more convenient. Set up your bell tent on your own or with a friend in less than 30 minutes. And, when it comes time to move, put everything back in the carrying case, sling it over your shoulder, and hike to your next slice of heaven.

With a Luna Glamping bell tent, the sky is the limit. Family camping trips? Check. Portable yoga studios? Check. Intimate and affordable accommodations for your new eco-resort? Double-check.

Canvas Bell Tents



The Bell Tent

From the Mongolian yurt to the Indigenous American tipi and the lavuu of the Saami in Scandinavia, it's a structure that's deeply rooted in human history.

Today's bell tent draws its inspiration from these traditional dwellings to create a cozy and comfortable space that keeps you connected to the land. Wake up with the rising sun and singing birds, fall asleep under the moonlight to the sound of chirping crickets and stay comfortable in a safe and weatherproof glamping retreat.



4m Bell Tent

Our smallest bell tent is perfect for couples and small families.



5m Bell Tent

Get cozy with room for the whole family or create a small sanctuary just for you.



6m Bell Tent

The most spacious tent we offer is made for entertaining or housing large groups.



Stove Kit

Enjoy your bell tent all year round with our portable wood stove.

4m

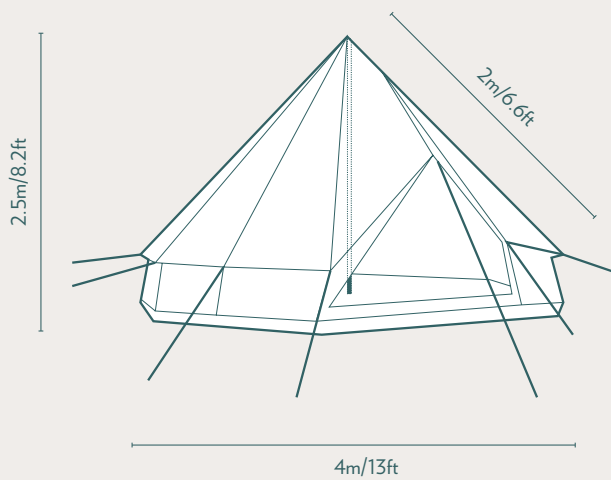
Canvas Bell Tent

Small footprint, big comfort.

Experience the natural beauty of the outdoors from your portable glamping retreat in this perfect blend of spacious and cozy. The 4m canvas bell tent is made for couples looking to connect with nature or a small family of three or four wanting to camp in comfort.

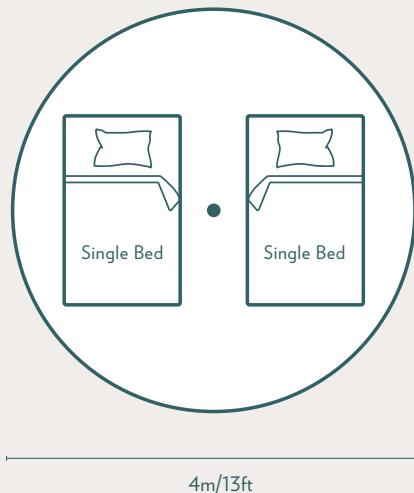


STRUCTURE DIMENSIONS



OVERHEAD DIMENSIONS

Floor Area 12.6sqm/135sqft



SPECIFICATIONS

Diameter	4m / 13.1ft
Center Height	2.5m / 8.2ft
Floor Area	12.6sqm / 135sqft
Door	1.98m/6.5ft x 1.52m/5ft
Sidewall	58.42cm / 23in
Structure Weight	25.85kg / 57lbs

MATERIALS

Roof Fabric 300gsm cotton canvas, PU coating, water proof

Sidewall 300gsm cotton canvas, PU coating, water proof

Groundsheet 540gsm PVC, waterproof

Center Pole Diameter 32mm aluminium tube, 1.2mm thickness

Door Pole Diameter 19mm aluminium tube, 1.2mm thickness

Net 40gsm white

Rope 6mm nylon ropes

Stakes 5mm steel

ADDITIONAL INFORMATION

Stove Kit is available as add-on.

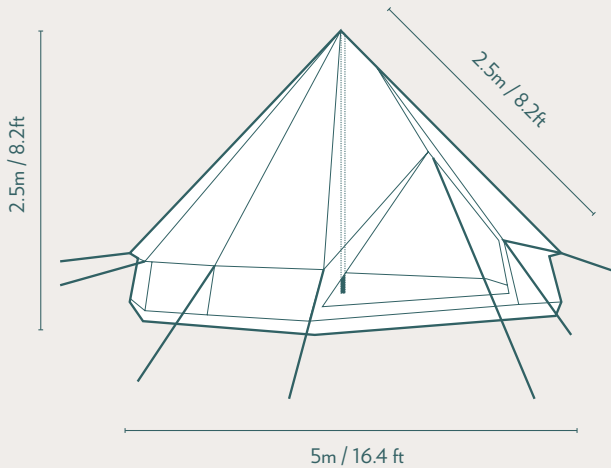
5m Canvas Bell Tent

Family-focused glamping.

There's nothing like spending a night in nature with your family. And, with the 5m canvas bell tent, you can rest soundly knowing that everyone has plenty of personal space. At over 16 feet across, this bell tent can comfortably fit four double mattresses.

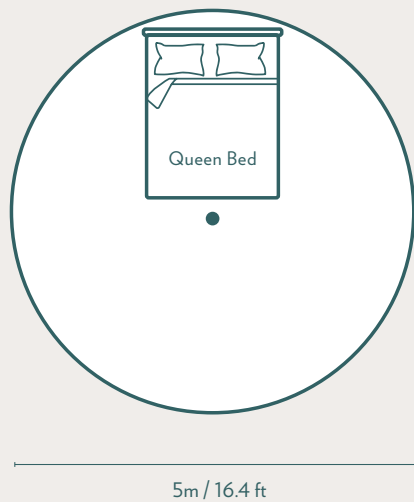


STRUCTURE DIMENSIONS



OVERHEAD DIMENSIONS

Floor Area 19.6sqm/211sqft



SPECIFICATIONS

Diameter	5m / 16.4 ft
Center Height	3m / 9.8 ft
Floor Area	19.6sqm / 211sqft
Door	2.5m/8.2ft x 1.70m/5.6ft
Sidewall	58.42cm / 23in
Structure Weight	34.93kg / 77lbs

MATERIALS

Roof Fabric 300gsm cotton canvas, PU coating, water proof

Sidewall 300gsm cotton canvas, PU coating, water proof

Groundsheet 540gsm PVC, waterproof

Center Pole Diameter 32mm aluminium tube, 1.2mm thickness

Door Pole Diameter 19mm aluminium tube, 1.2mm thickness

Net 40gsm white

Rope 6mm nylon ropes

Stakes 5mm steel

ADDITIONAL INFORMATION

Stove Kit is available as add-on.

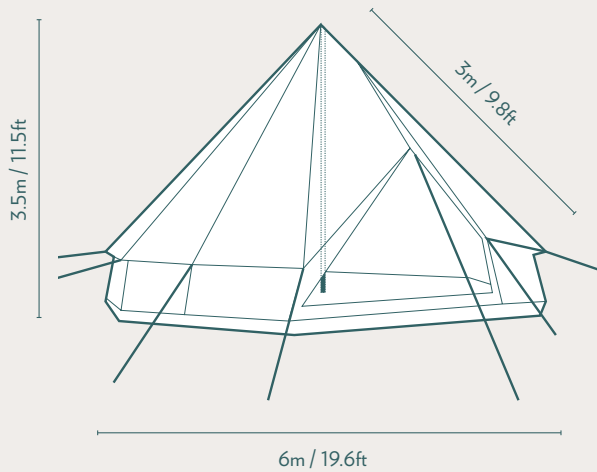
6m Canvas Bell Tent

The bell of the ball.

When you pull up to the festival's merchant grounds with this 6m bell tent, you're sure to draw attention. Whether you're running a yoga retreat or creating the perfect bachelorette glamping experience, this tent with sleeping room for 10 and sitting room for 25 has you covered.

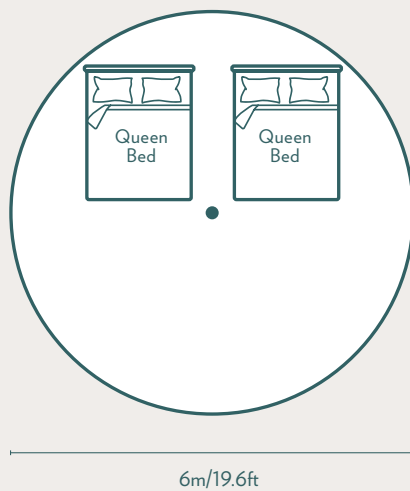


STRUCTURE DIMENSIONS



OVERHEAD DIMENSIONS

Floor Area 28.3sqm/309sqft



SPECIFICATIONS

Diameter	6m / 19.6ft
Center Height	3.5m / 11.5ft
Floor Area	28.3sqm / 309sqft
Door	2.59m/8.5ft x 1.70m/5.6ft
Sidewall	68.58cm / 27in
Structure Weight	44kg / 97lbs

MATERIALS

Roof Fabric 300gsm cotton canvas, PU coating, water proof

Sidewall 300gsm cotton canvas, PU coating, water proof

Groundsheet 540gsm PVC, waterproof

Center Pole Diameter 32mm aluminium tube, 1.2mm thickness

Door Pole Diameter 19mm aluminium tube, 1.2mm thickness

Net 40gsm white

Rope 6mm nylon ropes

Stakes 5mm steel

ADDITIONAL INFORMATION

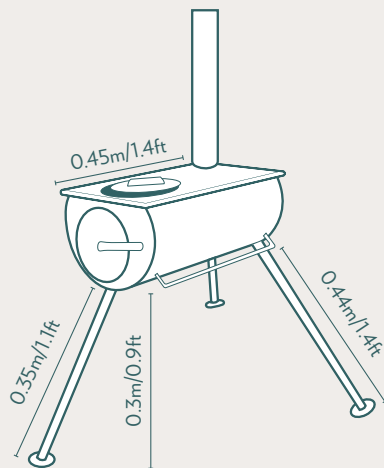
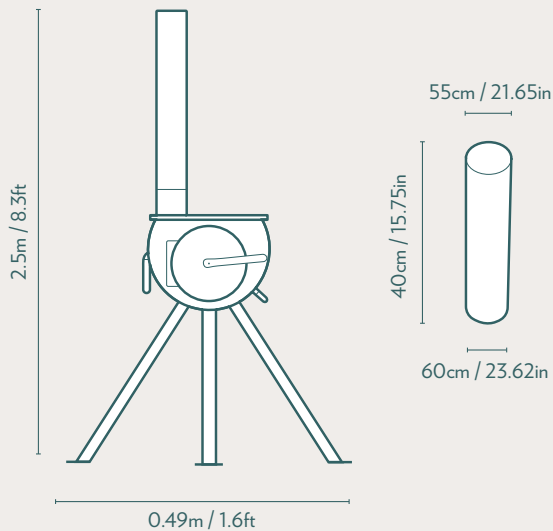
Stove Kit is available as add-on.

Stove Kit

Canvas Bell Tent Add-On

Let's Get Cozy.

Snow or sleet, rain or shine, camp in comfort with a portable wood-burning stove. With a light steel frame that makes for easy set-up, this safe and efficient heat source is perfect for late season camping, boiling water for your morning bush coffee and cooking delicious camp cuisine.



SPECIFICATIONS

Stove Type	Portable
Heat Energy	2KW
Flue Exit Type	Top Exit
Height	19cm / 7.5in
Length	43cm / 17in
Width	23cm / 9in
Flue Diameter	6.5cm / 2.5in
Total Weight	10.2kg / 22.5lbs

Stove Kit Add-On

Bell Tent Set-up Instructions

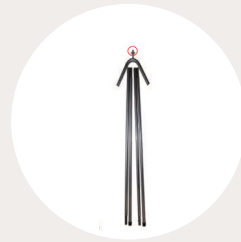
Pack Contents



TENT CANVAS



CENTER POLE



A-FRAME DOOR POLE



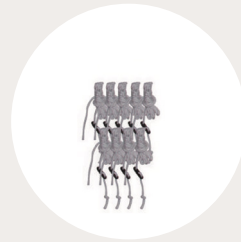
RAIN CAP



SMALL STAKES FOR THE
GROUNDSHEET



LARGE STAKES FOR THE
GUY LINES



GUY LINES



HAMMER (NOT
INCLUDED)

Included in set



POLE BAG



STAKE BAG



CARRY BAG

Still have questions?

Call +1 (888) 370-1991 or email hello@lunaglamping.com.

How to set-up

Ready to experience the great outdoors in the comfort of your new bell tent? Before you grab the bag of marshmallows and box of graham crackers, it's time to set up camp.

Thankfully, pitching a bell tent is easy, can be done by one person and only takes a few minutes. Here's how you do it:

1. Unpack and unfold your tent

Find a flat surface and roll out your tent. Spread the groundsheet out evenly with the door facing your desired direction. Make sure the door is zipped shut.

2. Stake the groundsheet

With the groundsheet spread out, hammer the small tent pegs through the metal O-loops to secure your new bell tent to the earth. Start with the pegs nearest the door and alternate sides to ensure even tension.

3. Install the center pole

Once the groundsheet is staked, open the door and guide the collapsible center pole into the reinforced section in the middle of the tent. Extend the center pole and lift the tent.

4. Install the door

Insert the A-frame pole into the eyelet at the top of the door and place the A-frame's legs in the pockets on

each side of the door. Use the ties on the inside of the bell tent to secure the A-frame. Exit the tent and close the door. Place the rain cap on the pole above the door.

5. Stake the guy lines

From the outside, tie the longest guy line rope above the door and use a large tent peg to stake it to the ground roughly 1 meter from the tent. Make sure your knots are secure as you tie and peg the remaining guy lines. Adjust the tension sliders on the guy ropes so each loop is roughly 50 centimeters from the peg. This will give shape to your tent while leaving room for adjustments.

6. Adjust the tension

Once the pegs are in, adjust the guy ropes to spread tension throughout the bell tent. Alternate sides as you add tension, starting with the rope above the door. The tent should be symmetrical when you're done.



STEP ONE



STEP TWO



STEP THREE



STEP FOUR



STEP FIVE



STEP SIX

Caring for Your Bell Tent



You've pitched your new bell tent and are ready to enjoy the great outdoors in your new glamping oasis. Here's how you can keep your bell tent in great condition for years to come.

1. Only store your tent when it's dry

Make sure you only store your bell tent when it's completely dry. This helps prevent the growth of fungus and mildew that stain the canvas. Sometimes, you will have to pack away the tent while it's wet. Just make sure you take it out to fully dry within two days.

2. Glamp according to your conditions

Our tents are durable and waterproof, and when set up correctly, can withstand winds of up to 60 miles per hour. However, severe weather conditions can shorten the lifespan of your bell tent. If you're setting the bell tent up for the first time and expecting snow,

be sure to weather the canvas first. To do this, find a suitable location, ideally on a dry and sunny day, and wet the canvas with a hose. Once the canvas is completely soaked, including the seams, let it dry fully before repeating the process. Weathering tightens the fibers of the canvas and seams making it better suited to withstand the snow.

3. Keep your tent clean

Wipe away dust, mud and dirt with a soft brush before putting your tent in storage. If you find any fungus, clean your tent with a sponge and water. For difficult stains, only use specialized tent cleaning products.

FAQs

Here are the most common questions we are asked about our Bell Tents.

Q: Is the bell tent waterproof?

Yes, our bell tents are waterproof. The canvas is treated and the seams are taped before your new bell tent arrives at your door. Plus, with a PVC floor to keep groundwater out and a rain cap to keep water from seeping through the a-frame door, you can expect a dry and cozy night wherever your new bell tent takes you.

Q: What is the size and weight of the tent?

It depends on the tent. Here's what you need to know:

4m Bell Tent

Diameter: 13 ft, Height: 8.2 ft, Door: 70 x 62 in, Sidewall: 23 in, Weight: 57lbs

5m Bell Tent

Diameter: 16.4 ft, Height: 9.8 ft, Door: 80 x 66 in, Sidewall: 23 in, Weight: 77 lbs

6m Bell Tent

Diameter: 19.6 ft, Height: 11.4 ft, Door: 90 x 70 in, Sidewall: 27 in, Weight: 97 lbs

Q: What are the materials?

Our bell tents are made with a high-quality and environmentally friendly 300gsm cotton canvas. The groundsheet is 540gsm ripstop PVC.

Q: How many people can I fit in my tent?

As many as you'd like, but here's what we recommend:

4m Bell Tent

Our 4m tent is the perfect size for a small family of three or four and their gear. For couples, the 4M is spacious and luxurious with plenty of room to fit everything you need for a weekend getaway.

5m Bell Tent

With the 5m bell tent, you can bring the whole family on your glamping adventure and comfortably fit four double mattresses.

6m Bell Tent

This tent is truly massive. With sleeping room for 10, this tent is perfect for camping with all your friends. For a couple, the 6m feels more like glamping in an apartment.

Q: How long does it take to pitch a bell tent?

Bell tents are one of the easiest glamping tents to set up. With two people, you can have your own slice of paradise pitched in about ten minutes.

Q: What's included in the package?

The package comes with everything you need to set up your bell tent, including: the canvas, center pole, A-frame door pole, rain cap, small stakes for the groundsheet, large stakes for the guy lines and the guy lines. Just bring your own hammer, or find a large rock, for easy staking.

Q: How do I set up the tent?

For an in-depth installation guide, please see the instructions.

1. Unpack and unfold the tent
2. Stake the groundsheet
3. Install the center pole in the middle of the tent
4. Install the A-frame door
5. Stake the guy lines
6. Adjust the tension

FAQs cont.

Q: Does the groundsheet zip to the canvas walls?

Yes, it does. Use the zipper to keep cozy and comfortable at night, and feel free to open it up in the morning for a breath of fresh air. When it's time to clean, simply open the tent and start sweeping.

Q: Does the bell tent have a bug screen?

The tent has bug screens on both the windows and the front door.

Q: What is the diameter of the stove jack hole?

5"

Q: Is the tent easy to transport?

Yes. Our bell tents come with a bag perfect for carrying with your hands or slinging over your shoulder.

Q: Is the center pole heavy?

Not really. The center pole weighs no more than two pounds. The bulk of the weight comes from the canvas.

Q: Is a rainfly included?

The bell tent does not come with a rainfly. However, it is waterproof and capable of withstanding heavy rain.

Q: Can the bell tent be secured to a wooden deck?

Yes. There are specialized stakes designed for bolting to a wooden surface, or you can substitute nails and screws. Contact us online to learn more.

Q: What's the lifespan of the tent?

It depends on your camping conditions and how well you care for your tent. Pollution, direct and prolonged exposure to the sun, sand, salt water and stains from food and sunscreen all impact the life of your tent.

Q: How do I limit fungus and stains on the canvas?

The most important thing is to always store your tent when it's completely dry. If you need to pack it away while it's damp, make sure you open it up and allow it to dry properly within two days. To fight fungus, use a soft brush or sponge and plenty of fresh water. For difficult stains, only use specialized tent cleaning products.

Q: Can this tent handle winter conditions?

It sure can. We recommend weathering your tent before using it in the snow. Simply set up your tent, get it wet and let it dry completely to tighten the canvas before winter glamping.

Q: What about strong winds?

When set up correctly, your new tent will stand tall in up to 60mph winds thanks to sturdy stakes.

Q: Are the seams double-stitched?

They sure are.

Q: Where is your warehouse?

Your new Luna Glamping bell tent ships from western Canada.

Q: How do you ship the tent?

Tents and stoves are shipped inside their carrying bags secured in a cardboard box to prevent any shipping damage. Within days of confirming your order, the bell tent is shipped from the warehouse through either FedEx or Canada Post.

Still have questions? Call +1 (888) 370-1991 or email hello@lunaglamping.com. For pricing information. Visit our website at www.lunaglamping.com.